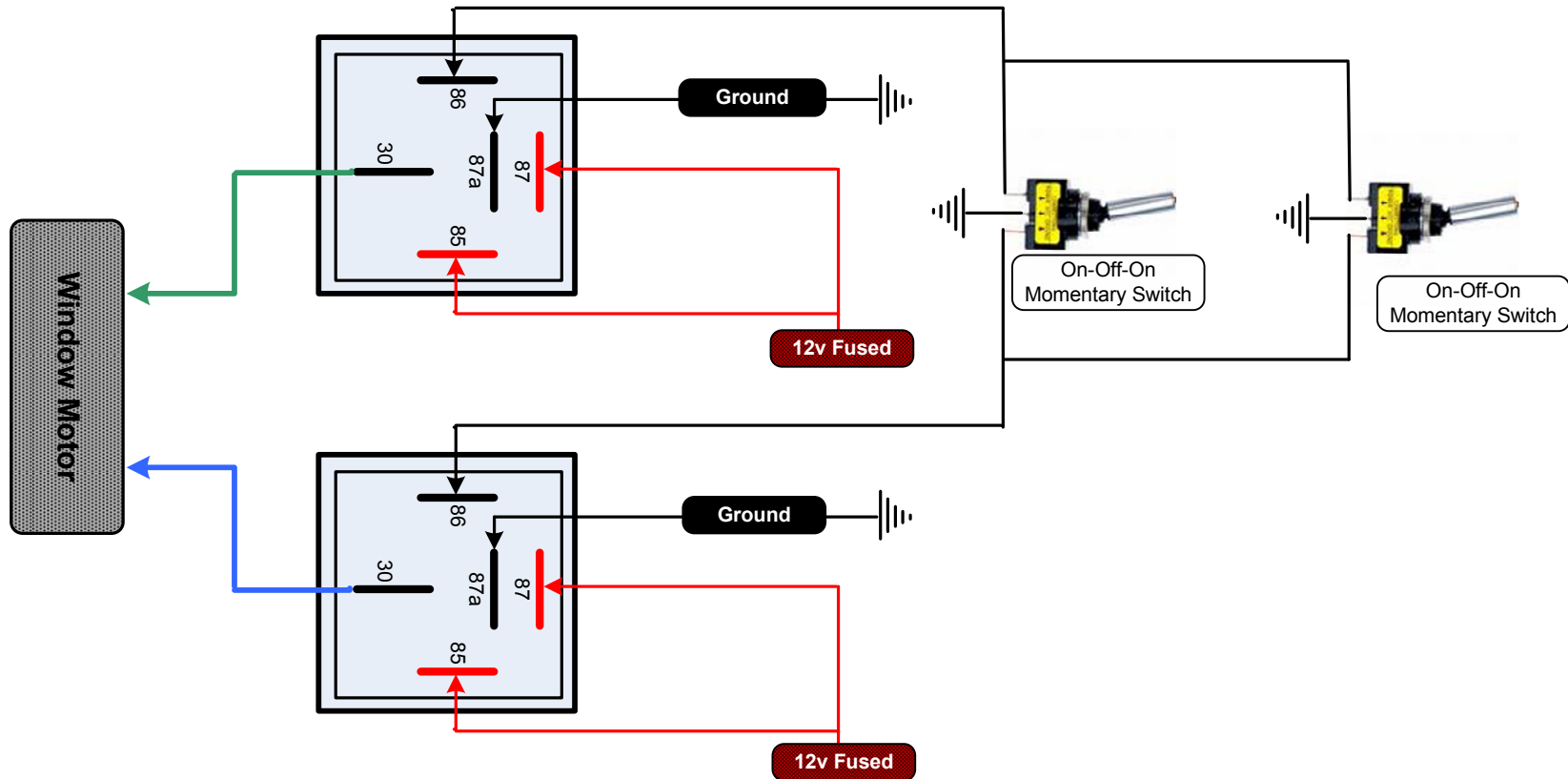


# Electric Windows – Using 2 Switches to Run 1 Window

We were asked to show how to wire a window motor that could be operated with up to 2 on-off-on switches. The following diagram will show that you could add as many switches as you want as we originally wired the circuit to switch on grounds.



Written by: AutomotiveRewire – [www.AutomotiveRewire.com](http://www.AutomotiveRewire.com)